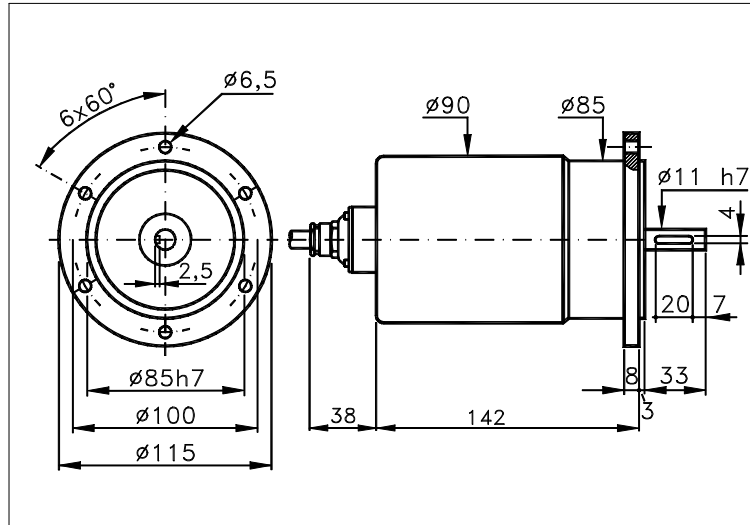


**ABSOLUTE
ENCODER
WITH FIELD BUS
9115S**

Extremely sturdy absolute SSI encoder with B10 flange, fit to be used in severe industrial environments. High resolution.

Absolute with field bus
page: 04.9115S 1/2
data sheet IB 050 E00

Measures without tolerance acc. to UNI ISO 2768-mk



TECHNICAL FEATURES AND POSSIBLE CONFIGURATIONS

- Outout codes.....: Gray, Binary
- Max resolut.....: 16 bit/1 rev.
: 30 bit/16384 rev.
- Pulses/rev.....: (12) 4096, (13) 8192,
(14) 16384, (15) 32768,
(16) 65536.
- No. of rev.....: 1, 4096, 16384.
:
- Power supply Vcc.....: 10÷30 VDC
- Max consumption.....: 1W (SL), 1,5W (S1)
- Light source.....: LED with >= 100000 h life
- Optical sensors.....: IR photodiodes array
- Step frequency LSB.....: 800 kHz
- Operating temperature..: -40 ÷ +85 °C (1)
- Storage temperature...: -40 ÷ +85 °C (1)
- Humidity.....: 98% (without liquid state)
- Bus connection.....: Line driver (acc. to RS422)
- Accuracy of divisions..: ±½ LSB(<13bit), ±2 LSB(13÷16bit)
- Output interface.....: (SL) SSI
(S1) SSI + Preset

- Connections : For the codes and the descriptions of connectors see 'ORDERING CODE' on page 2.
- Housing.....: Aluminium (*)
- Weight.....: singlet.1700g, mult. 1800g
- Shaft.....: Stainless steel
- Max radial/axial load.: 180 N
- IP output side.....: see 'CONNECTIONS' on page 2
- IP shaft side.....: std. 64 | sealed 66
- Contin. max RPM...(**): 6000 | 3000
- Starting torque..gcm.: 370 | 470
- Impact resistance.....: 30 G (11 ms)
- Vibration resistance...: 10 G (10 ÷ 1000 Hz)
- Ball bearings life....: >10^5 h @ 1000 rev./m
- SMD technology
- Polarity inversion protect.
- Over voltage peak protect.
- Disc made of unbreakable and durable plastic.
- EMC certific. according to EN 61000-6-2, EN 61000-6-4

(*) Custom options.

(**) Intermittent max RPM + 30% of continuous max RPM.

(1) -5÷+70°C cable exit

POSSIBLE OPTIONS

CODE	DESCRIPTION	CODE	DESCRIPTION	CODE	DESCRIPTION
		W	Sealed ball bear.	X	Customer options



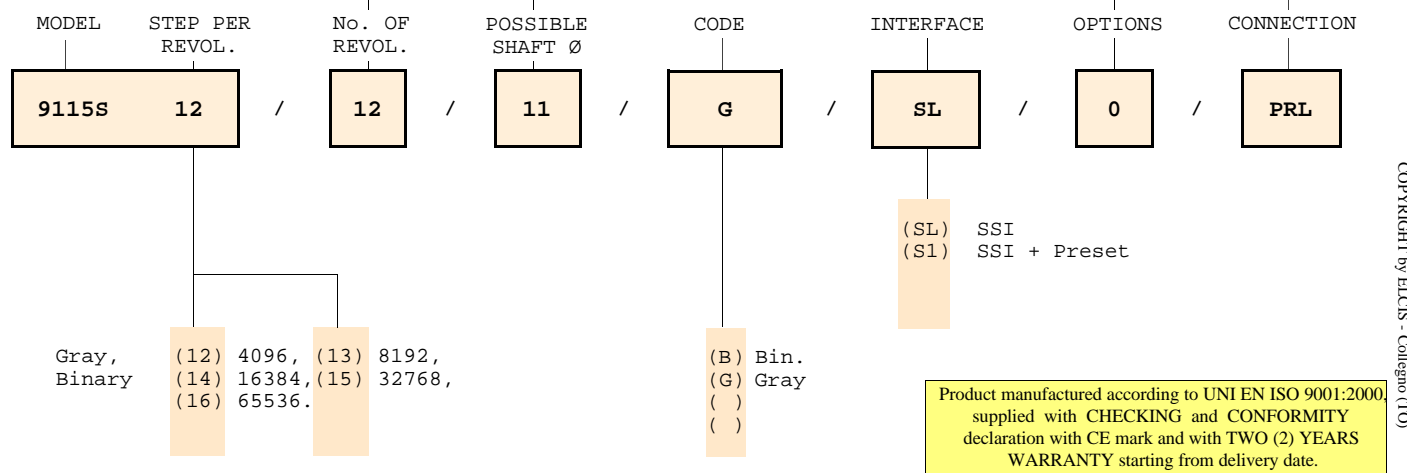
ELCIS s.r.l. Via Rosa Luxembourg 12/14 10093 COLLEGNO (TO) ITALY
Phone: +39 011 715577/78 r.a.
MAIL: ELCIS s.r.l. P.O.Box 90 10093 COLLEGNO (TO) ITALY

* <http://www.elcis.com>
* e-mail: info@elcis.com
* Fax: +39 011 712613


INTERFACE	CONNECTIONS
» (SL) SSI	»
The data output is controlled by an external clock. The angular position's value is first stored into the encoder and then transmitted outside starting from the MSB. The standard of transmission is RS485/RS422; the clock frequency is 100kHz+1MHz.	
» (S1) SSI + Preset	
Like (SL), but with a preset function.	
»	
»	

ORDERING INFORMATION

(00) 1(Singlet.)	(11) Ø 11 (standard)	()	(CAW) 1 m long cable axial	IP65
(12) 4096	()	(X) Customer options	(CRW) 1 m long cable radial	IP65
(14) 16384	()	(W) Sealed ball bear.	(PAL) 12 pin conn. axial	IP65
	()	()	(PRL) 12 pin conn. radial	IP65
	()	(0) Standard	()	
	(n) Ø n upon		()	
			()	
			()	
			()	



COPYRIGHT by ELCIS - Collegno (TO)

	ELCIS s.r.l. Via Rosa Luxembourg 12/14 10093 COLLEGNO (TO) ITALY Phone: +39 011 715577/78 r.a. MAIL: ELCIS s.r.l. P.O.Box 90 10093 COLLEGNO (TO) ITALY	* http://www.elcis.com * e-mail: info@elcis.com * Fax: +39 011 712613
--	--	--