

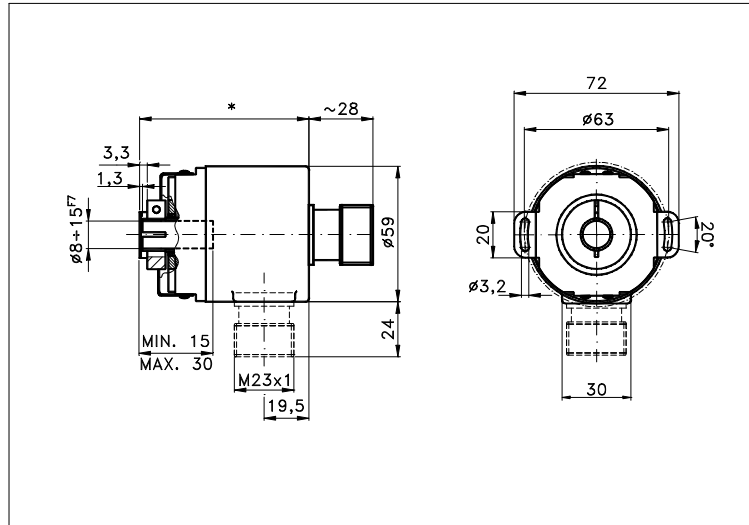
**ABSOLUTE
ENCODER
WITH FIELD BUS
959C**

Compact and sturdy absolute encoder with hollow shaft and incorporated spring coupling. Fit for general industrial purposes.
Very good quality/price ratio.

Absolute with field bus
page: 04.959C 1/2
data sheet IB 036 E00

Measures without tolerance acc. to UNI ISO 2768-mk

Max. joint compens.: ax. ±0,1mm, rad. ±0,2mm, ang. ±1°



* Singleturn axial 61, radial or P1 72; multiturn CV, CVR, F2 80, F2R 96

TECHNICAL FEATURES AND POSSIBLE CONFIGURATIONS

- **Outout codes**.....: Gray, Binary
- **Max resolut**.....: 16 bit/1 rev.
 : 25 bit/4096 rev.
- **Pulses/rev**.....: (AA) 360#, (12) 4096,
 (13) 8192, (16) 65536.
- **No. of rev**.....: 1, 16, 256, 4096.
- **Power supply Vcc**.....: 10÷30 VDC
- **Max consumption**.....: 100÷400 mA acc. to bits
- **Light source**.....: LED with >= 100000 h life
- **Optical sensors**.....: IR photodiodes array
- **Step frequency LSB**....: 200 kHz
- **Operating temperature**..: -30 ÷ +70 °C
- **Storage temperature**...: -40 ÷ +85 °C
- **Humidity**.....: 98% (without liquid state)
- **Bus connection**.....: Push-pull 20 mA
- **Short circuit proof**
- **Accuracy of divisions**..: ±½ LSB (<13bit), ±2 LSB (13÷16bit)
- **Output interface**.....: (PP) Parallel
 (P1) Parallel + Preset

- **Connections** : For the codes and the descriptions of connectors see 'ORDERING CODE' on page 2.
- **Housing**.....: Aluminium (*)
- **Weight**.....: singlet.200g ,multit. 400 g
- **Shaft**.....: Stainless steel
- **Max radial/axial load**..: 40/110 N
- **IP output side**.....: see 'CONNECTIONS' on page 2
- **IP shaft side**.....: std.64 | sealed 66
- **Contin. max RPM**...(**): 6000 | 3000
- **Starting torque**..gcm.: 50 | 90
- **Impact resistance**.....: 30 G (11 ms)
- **Vibration resistance**...: 10 G (10 ÷ 1000 Hz)
- **Ball bearings life**....: >10^5 h @ 1000 rev./m
- **SMD technology**
- **Polarity inversion protect.**
- **Over voltage peak protect.**
- **Disc made of unbreakable and durable plastic.**
- **EMC certific.** according to EN 61000-6-2, EN 61000-6-4

(*) Custom options.

(**) Intermittent max RPM + 30% of continuous max RPM.

(#) Only Singleturn.

POSSIBLE OPTIONS

CODE	DESCRIPTION	CODE	DESCRIPTION	CODE	DESCRIPTION
Q	All stainl. steel	W	Sealed ball bear.	X	Customer options



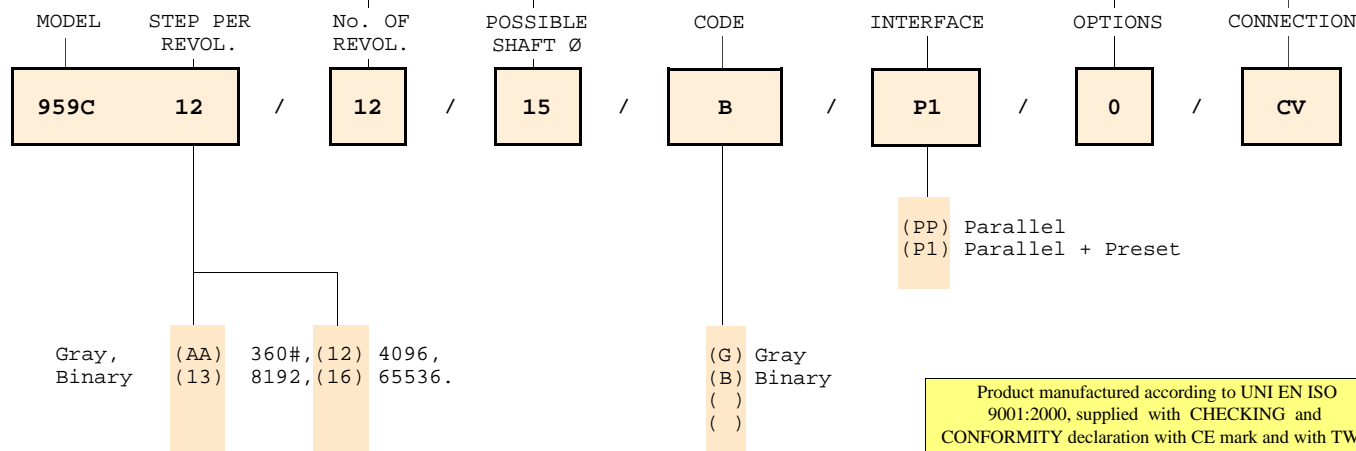
ELCIS s.r.l. Via Rosa Luxembourg 12/14 10093 COLLEGNO (TO) ITALY
Phone: +39 011 715577/78 r.a.
MAIL: ELCIS s.r.l. P.O.Box 90 10093 COLLEGNO (TO) ITALY

* <http://www.elcis.com>
* e-mail: info@elcis.com
* Fax: +39 011 712613

OUTPUT ELECTRONIC	INTERFACE	OPTIONS
» Push-pull 20 mA 	» (PP) Parallel The angular value is present on the output connector in a "parallel" form. The number of conductors is proportional to the resolution and to the type of selected code.	» -
»	» (P1) Parallel + Preset Like (PP), but with a preset function.	»
»		»

ORDERING INFORMATION

(00) 1(Singlet.)	(15) Ø 15 (standard)	(Q) All stainl. steel	(CV) 1m cable ax.max 25 bits IP65
(04) 16	(12) Ø 12	(X) Customer options	(CVR) 1m cable rad.max 25bits IP65
(08) 256	(10) Ø 10	(W) Sealed ball bear.	(F1) Ax. conn. up to 13 bits IP65
(12) 4096	(08) Ø 8	()	(F2) Ax. conn. 14 ÷ 21 bits IP65
	()	(0) Standard	(F1R) Rad.conn. up to 13 bits IP65
	(n) Ø n upon		(F2R) Rad. conn. 14 ÷ 21 bits IP65
			()
			()
			()



(#) Only Singleturn.

Product manufactured according to UNI EN ISO 9001:2000, supplied with CHECKING and CONFORMITY declaration with CE mark and with TWO (2) YEARS WARRANTY starting from delivery date.



ELCIS s.r.l. Via Rosa Luxembourg 12/14 10093 COLLEGNO (TO) ITALY
 Phone: +39 011 715577/78 r.a.
 MAIL: ELCIS s.r.l. P.O.Box 90 10093 COLLEGNO (TO) ITALY

* <http://www.elcis.com>
 * e-mail: info@elcis.com
 * Fax: +39 011 712613