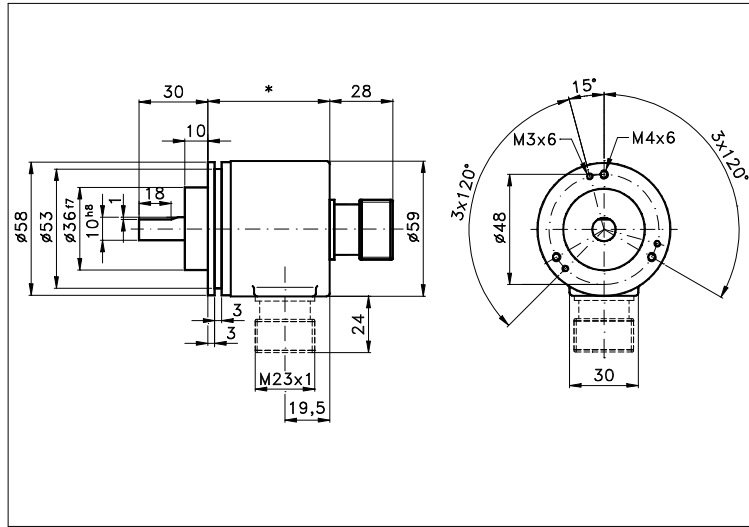


**ABSOLUTE
ENCODER
WITH FIELD BUS
958H**

Compact absolute encoder fit to be used in industrial ambients.
'Servo-mount' installation by means of claws or frontal screws.
Very good quality/price ratio.

Absolute with field bus
page: 04.958H 1/2
data sheet IB 022 E00

Measures without tolerance acc. to UNI ISO 2768-mk



* Singleturn axial 42, radial or P1 53; multiturn CV, CVR, F2 62, F2R 78

TECHNICAL FEATURES AND POSSIBLE CONFIGURATIONS

- **Outout codes**.....: Gray, Binary
- **Max resolut**.....: 16 bit/1 rev.
 : 25 bit/4096 rev.
- **Pulses/rev**.....: (AA) 360#, (12) 4096,
 (13) 8192, (16) 65536.
- **No. of rev**.....: 1, 16, 256, 4096.
- **Power supply Vcc**.....: 10÷30 VDC
- **Max consumption**.....: 100÷400 mA acc. to bits
- **Light source**.....: LED with >= 100000 h life
- **Optical sensors**.....: IR photodiodes array
- **Step frequency LSB**....: 200 kHz
- **Operating temperature**..: -30 ÷ +70 °C
- **Storage temperature**....: -40 ÷ +85 °C
- **Humidity**.....: 98% (without liquid state)
- **Bus connection**.....: Push-pull 20 mA
- **Short circuit proof**.
- **Accuracy of divisions**..: ±½ LSB (<13bit), ±2 LSB (13÷16bit)
- **Output interface**.....: (PP) Parallel
 (P1) Parallel + Preset

- **Connections** : For the codes and the descriptions of connectors see 'ORDERING CODE' on page 2.
- **Housing**.....: Aluminium (*)
- **Weight**.....: singlet.200g ,multit. 400 g
- **Shaft**.....: Stainless steel
- **Max radial/axial load**..: 40/110 N
- **IP output side**.....: see 'CONNECTIONS' on page 2
- **IP shaft side**.....: std.64 | sealed 66
- **Contin. max RPM**...(**): 6000 | 3000
- **Starting torque**..gcm.: 50 | 90
- **Impact resistance**.....: 30 G (11 ms)
- **Vibration resistance**...: 10 G (10 ÷ 1000 Hz)
- **Ball bearings life**....: >10^5 h @ 1000 rev./m
- **SMD technology**
- **Polarity inversion protect**.
- **Over voltage peak protect**.
- **Disc made of unbreakable and durable plastic**.
- **EMC certific. according to EN 61000-6-2, EN 61000-6-4**

(*) Custom options.

(**) Intermittent max RPM + 30% of continuous max RPM.

(#) Only Singleturn.

POSSIBLE OPTIONS

CODE	DESCRIPTION	CODE	DESCRIPTION	CODE	DESCRIPTION
Q	All stainl. steel	W	Sealed ball bear.	X	Customer options



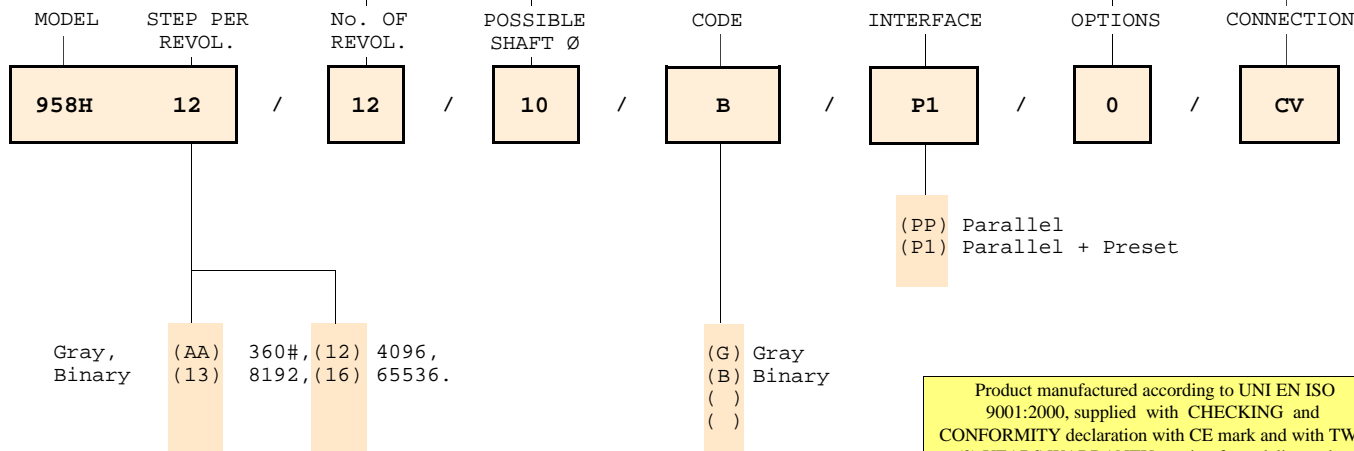
ELCIS s.r.l. Via Rosa Luxembourg 12/14 10093 COLLEGNO (TO) ITALY
Phone: +39 011 715577/78 r.a.
MAIL: ELCIS s.r.l. P.O.Box 90 10093 COLLEGNO (TO) ITALY

* <http://www.elcis.com>
* e-mail: info@elcis.com
* Fax: +39 011 712613

OUTPUT ELECTRONIC	INTERFACE	OPTIONS
» Push-pull 20 mA 	» (PP) Parallel The angular value is present on the output connector in a "parallel" form. The number of conductors is proportional to the resolution and to the type of selected code.	» -
»	» (P1) Parallel + Preset Like (PP), but with a preset function.	»
»		»

ORDERING INFORMATION

(00) 1(Singlet.)	(10) Ø 10 (standard)	(Q) All stainl. steel	(CV) 1m cable ax.max 25 bits IP65
(04) 16	(06) Ø 6	(X) Customer options	(CVR) 1m cable rad.max 25bits IP65
(08) 256	()	(W) Sealed ball bear.	(F1) Ax. conn. up to 13 bits IP65
(12) 4096	()	()	(F2) Ax. conn. 14 ÷ 21 bits IP65
	()	(0) Standard	(F1R) Rad.conn. up to 13 bits IP65
	()		(F2R) Rad. conn. 14 ÷ 21 bits IP65
	()		()
	()		()
	()		()



(#) Only Singleturn.

Product manufactured according to UNI EN ISO 9001:2000, supplied with CHECKING and CONFORMITY declaration with CE mark and with TWO (2) YEARS WARRANTY starting from delivery date.

ELCIS company has the right to make any changins without previous notice.

data sheet IB 022 E00 page: 04.958H 2/2



ELCIS s.r.l. Via Rosa Luxembourg 12/14 10093 COLLEGNO (TO) ITALY
 Phone: +39 011 715577/78 r.a.
 MAIL: ELCIS s.r.l. P.O.Box 90 10093 COLLEGNO (TO) ITALY

* <http://www.elcis.com>
 * e-mail: info@elcis.com
 * Fax: +39 011 712613