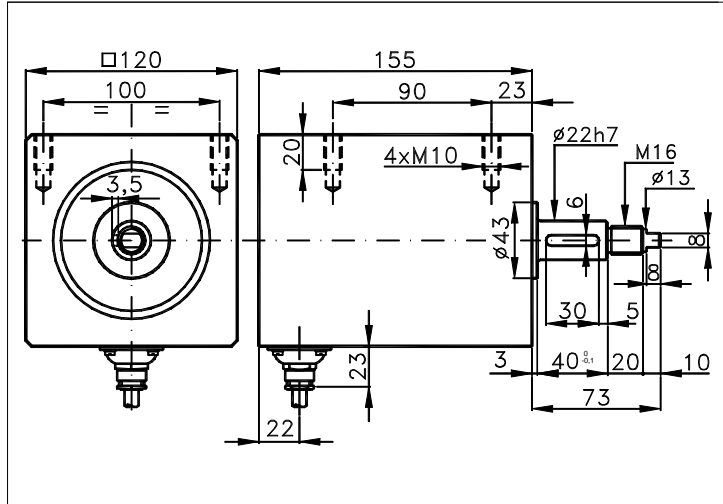


Sized draw standard version: CW R Measures without tolerance according to UNI ISO 2768-mk

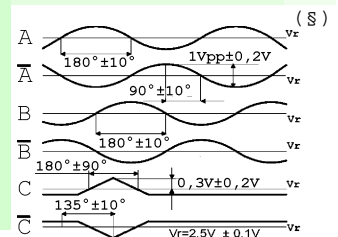
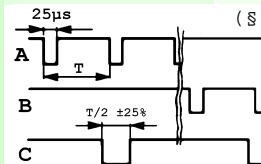
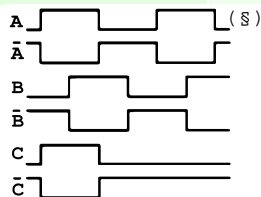
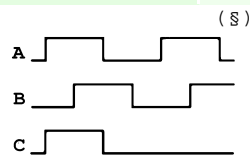


TECHNICAL FEATURES AND POSSIBLE CONFIGURATIONS

- | | |
|--|--|
| - Base.....: ANODIZED ALUMINIUM (*) | - Ball bearings life...: 1,5 x 10 ⁹ revolutions |
| - Cover.....: ANODIZED ALUMINIUM (*) | - Impact resistance....: 50 G x 11ms |
| - Weight.....: 6500 g | - Vibration resistance..: 12 G (10 ÷ 2000 Hz) |
| - Shaft.....: Ø 22 STAINLESS STEEL (*) | - Power supply.....: 5÷30V (see page 2) |
| - Max.rad/axial load.: 30 kg | - Operating temperature: 0 ÷ 70 °C (*) |
| - IP output side.(°): see 'CONNECTION' of page 2 | - Storage temperature...: -30 ÷ 85 °C |
| - IP shaft side.(°):> std. 66 sealed - low torq. - | - N° of pulses/rev.....: 1 ÷ 2540 |
| opt. type (page 2):> standard | - Max frequency.....: 100 kHz |
| - Contin. max RPM(**):> 2500 - - | - Max consumptions mA...: std 120 line driver 180 (*) |
| - Starting torque gcm> 350 - - | - Light source.....: LED with >= 100000 h life |
- (°) IP according to CEI EN 60529, EN 60529, IEC 529
(*) custom options
(**) intermittent max RPM + 30% of continuous max RPM

ELECTRONICS

CODE	DESCRIPTION	mA	CODE	DESCRIPTION	mA	CODE	DESCRIPTION	mA	CODE	DESCRIPTION	mA
	STANDARD NPN	10	N	DRIVER 26LS31	30	D	DISCRIMINAT.	70	Y	SINUSOID. 1Vpp	10
K	NPN OPEN COLL	10	T	TTL 7404	10						
Q	NPN	70	C	DRIVER 88C30	20						
R	NPN OPEN COLL	70	L	2x PUSH-P.PRO	70						
P	PNP	70	M	2x PUSH-PULL	70						
U	PNP OPEN COLL	70									
B	PUSH-PULL PRO	70									
H	PUSH-PULL	70									



Tolerance between phases ± 25°, symmetry ± 15°

(§) Clock-wise output rotation (see shaft).



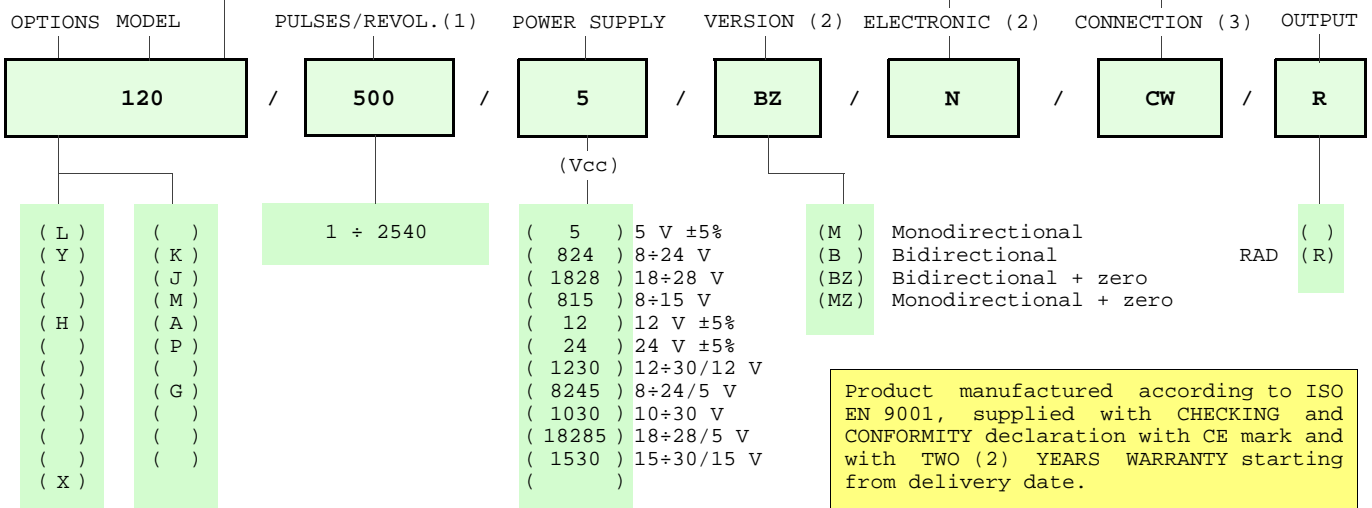
ELCIS s.r.l. Via Rosa Luxembourg 12/14 10093 COLLEGNO (TO) ITALY
Phone: +39 011 715577/78 a.r.
MAIL: ELCIS s.r.l. P.O.Box 90 10093 COLLEGNO (TO) ITALY

* <http://www.elcis.com>
* e-mail: info@elcis.com
* Fax: +39 011 712613

POSSIBLE OPTIONS				POSSIBLE CONNECTIONS								
CODE	DESCRIPTION	CODE	DESCRIPTION	CABLE				OUTPUT :				
L	Low temperature	K	Invert. phase A,B,Zero.	CW				RAD				
Y	Unbreakable disk	J	Zero logic combination	CONNECTOR				OUTPUT :				
H	Different shaft Ø	M	Impregnated electronic	CM	SM	CL	SL	CH	RAD			
		A	High temperature	CABLE END CONNECTOR				OUTPUT :				
		P	Compressed air attack	VM	TM	VL	TL	VD	VH	VH5	VI	RAD
		G	Tropicalization	VE	VK	TK	VN	VH6	VM5	VM9	VS	RAD
X	Custom options			VD5	TERMINAL BOX				OUTPUT :			


ORDERING INFORMATION

POSSIBLE SHAFT Ø		CABLE	CONNECTOR	CABLE END CONNECTOR
()	() STANDARD NPN	IP66		IP65 encoder output
()	(K) NPN OPEN COLL	(CW) 1 m long	(CM) 7c norm. IP64	(VM) 7c normal
()	(Q) NPN	()	(SM) 7c sealed IP66	(TM) 7c sealed
()	(R) NPN OPEN COLL	()	(CL) 10c norm. IP64	(VL) 10c normal
()	(P) PNP	()	(SL) 10c sealed IP66	(TL) 10c sealed
()	(U) PNP OPEN COLL		(CH) 12c ccw IP67	(VD) 9c
(n)	(B) PUSH-PULL PRO	TERMINAL BOX		(VH) 12c anticlock.
	(H) PUSH-PULL	IP00		(VH5) 12c clock-wise
()	(N) DRIVER 26LS31	()		(VI) 12c crimped
()	(T) TTL 7404			(VE) 5c
()	(C) DRIVER 88C30			(VK) 17c normal
()	(L) 2x PUSH-P.PRO			(TK) 17c sealed
()	(M) 2x PUSH-PULL			(VN) 12c
()	(D) DISCRIMINAT.			(VH6) 12c clock-wise
()	(Y) SINUSOID.1Vpp			(VM5) 26c
()	(X) CUSTOM OPTION			(VM9) 16c
()				(VS) 12c
()				(VD5) 9c screened



NOTE: FOR 88C30 MAX 15 Vcc

- (1) For further information see PULSES/REVOL. data sheet
- (2) For further information see ELECTRONIC data sheet
- (3) For further information see CONNECTION data sheet

	<p>ELCIS s.r.l. Via Rosa Luxembourg 12/14 10093 COLLEGNO (TO) ITALY Phone: +39 011 715577/78 a.r. MAIL: ELCIS s.r.l. P.O.Box 90 10093 COLLEGNO (TO) ITALY</p>	<p>* http://www.elcis.com * e-mail: info@elcis.com * Fax: +39 011 712613</p>
--	---	---

COPYRIGHT by ELCIS - Collegno (TO)