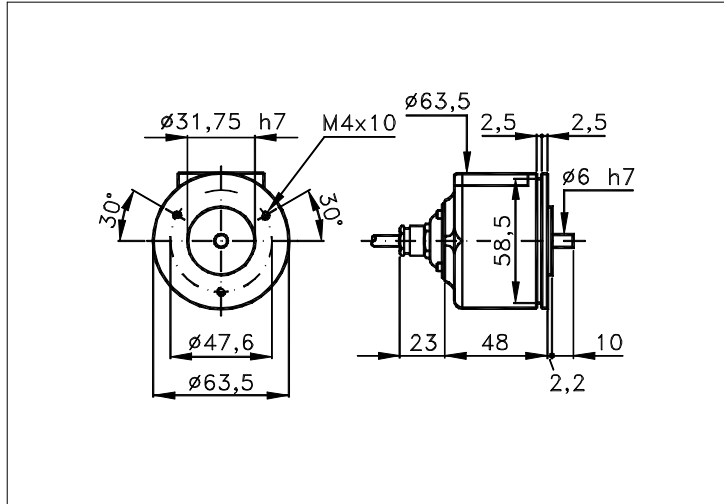


Sized draw standard version: CV Measures without tolerance according to UNI ISO 2768-mk

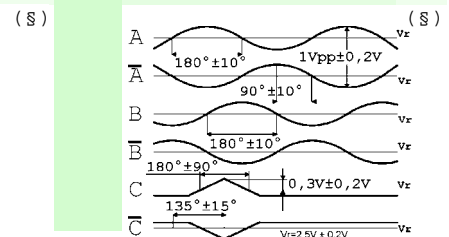
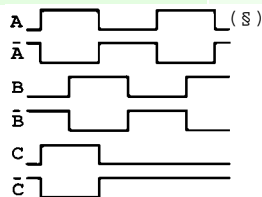
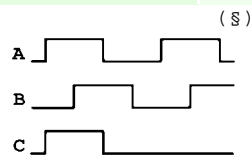


**TECHNICAL FEATURES AND POSSIBLE CONFIGURATIONS**

- Base.....: ANODIZED ALUMINIUM (\*)
  - Cover.....: VALOX 420 (\*)
  - Weight.....: 450 g
  - Shaft.....: Ø 6 STAINLESS STEEL (\*)
  - Max.rad/axial load.: 4 kg
  - IP output side.(°)..: see 'CONNECTION' of page 2
  - IP shaft side..(°).> std. 64 | sealed 66 | low torq. 53
  - opt. type (page 2).> standard | Z | B
  - Contin. max RPM(\*\*)> 6000 | 3000 | 12000
  - Starting torque gcm> 18 | 30 | 8
  - Ball bearings life...: 1,5 x 10<sup>9</sup> revolutions
  - Impact resistance....: 50 G x 11ms
  - Vibration resistance..: 12 G (10 ÷ 2000 Hz)
  - Power supply.....: 5÷30V (see page 2)
  - Operating temperature: 0 ÷ 70 °C (\*)
  - Storage temperature...: -30 ÷ 85 °C
  - N° of pulses/rev.....: 1 ÷ 25000
  - Max frequency.....: 100 kHz (300 option)
  - Max consumptions mA...: std 120 line driver 180 (\*)
  - Light source.....: LED with >= 100000 h life
- (°) IP according to CEI EN 60529, EN 60529, IEC 529  
(\*) custom options  
(\*\*) intermittent max RPM + 30% of continuous max RPM

**ELECTRONICS**

CODE	DESCRIPTION	mA	CODE	DESCRIPTION	mA	CODE	DESCRIPTION	mA	CODE	DESCRIPTION	mA
	STANDARD NPN	10	N	DRIVER 26LS31	30				Y	SINUSOID. 1Vpp	10
K	NPN OPEN COLL	10	T	TTL 7404	10						
Q	NPN	70	C	DRIVER 88C30	20						
R	NPN OPEN COLL	70									
P	PNP	70									
U	PNP OPEN COLL	70									
B	PUSH-PULL PRO	70									
H	PUSH-PULL	70									



Tolerance between phases ± 25°, symmetry ± 15°

(§) Clock-wise output rotation (see shaft).



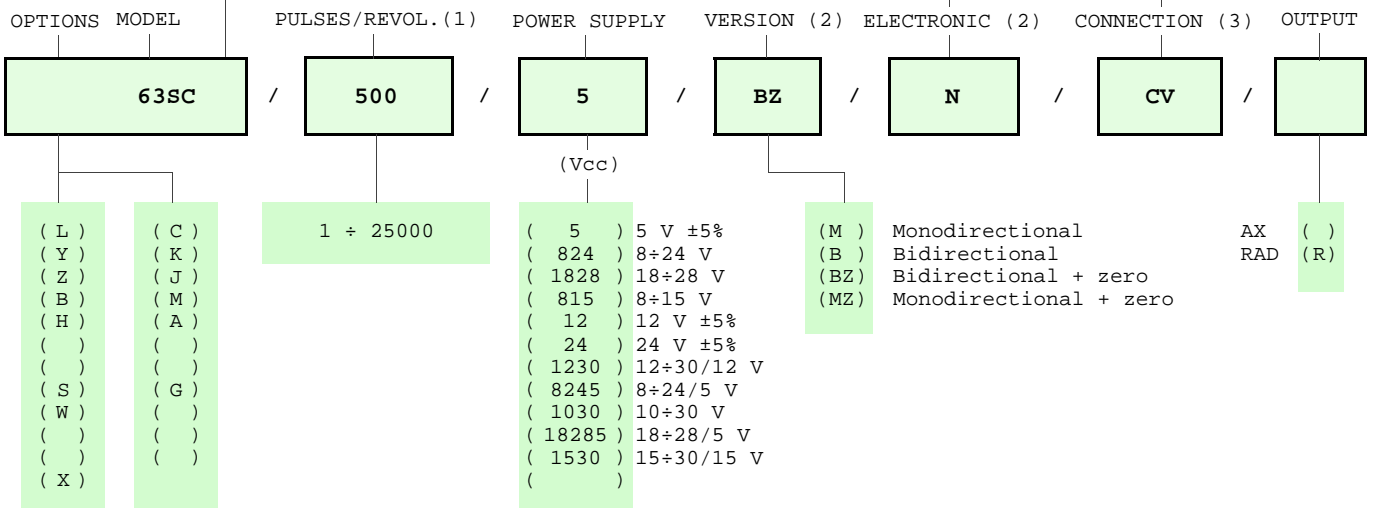
ELCIS s.r.l. Via Rosa Luxembourg 12/14 10093 COLLEGNO (TO) ITALY  
Phone: +39 011 715577/78 a.r.  
MAIL: ELCIS s.r.l. P.O.Box 43 10093 COLLEGNO (TO) ITALY

\* <http://www.elcis.com>  
\* e-mail: [info@elcis.com](mailto:info@elcis.com)  
\* Fax: +39 011 712613

POSSIBLE OPTIONS				POSSIBLE CONNECTIONS								
CODE	DESCRIPTION	CODE	DESCRIPTION	CABLE				OUTPUT:				
L	Low temperature	C	Low consumption	CV				AX RAD				
Y	Unbreakable disk	K	Invert. phase A,B,Zero.	CONNECTOR				OUTPUT:				
Z	Sealed ball bearing	J	Zero logic combination	CM	SM	CL	SL	CD	CH	CH5	CI	AX RAD
B	Low torque ball bear.	M	Impregnated electronic	CABLE END CONNECTOR				OUTPUT:				
H	Different shaft Ø	A	High temperature	VM	TM	VL	TL	VD	VH	VH5	VI	AX RAD
S	160 KHz frequency	G	Tropicalization	VE	VK	TK	VN	VH6	VM5	VM9	VS	RAD
W	300 KHz frequency			TERMINAL BOX				OUTPUT:				
X	Custom options			MS	AX							

### ORDERING INFORMATION


POSSIBLE SHAFT Ø	STANDARD NPN	CABLE	CONNECTOR	CABLE END CONNECTOR
( )	( K ) NPN OPEN COLL	IP65		IP65 encoder output
( )	( Q ) NPN	( CV ) 1 m long	( CM ) 7c norm. IP65	( VM ) 7c normal
( )	( R ) NPN OPEN COLL	( )	( SM ) 7c sealed IP66	( TM ) 7c sealed
( )	( P ) PNP	( )	( CL ) 10c norm. IP65	( VL ) 10c normal
( )	( U ) PNP OPEN COLL	( )	( SL ) 10c sealed IP66	( TL ) 10c sealed
( n ) Ø n upon requ.	( B ) PUSH-PULL PRO		( CD ) 9c sub D IP63	( VD ) 9c
( )	( H ) PUSH-PULL	TERMINAL BOX	( CH ) 12c ccw IP67	( VH ) 12c anticlock.
( )	( N ) DRIVER 26LS31	IP00	( CH5 ) 12c cw IP67	( VH5 ) 12c clock-wise
( )	( T ) TTL 7404	( MS ) Phoenix	( CI ) 12c crimp. IP64	( VI ) 12c crimped
( )	( C ) DRIVER 88C30		( CE ) 5c miniat IP64	( VE ) 5c
( )				( VK ) 17c normal
( )				( TK ) 17c sealed
( )	( Y ) SINUSOID.1Vpp		( C4 ) 4c screw IP65	( VN ) 12c
( )	( X ) CUSTOM OPTION		( CH6 ) 12c cw IP67	( VH6 ) 12c clock-wise
( )				( VM5 ) 26c
( )				( VM9 ) 16c
( )				( VS ) 12c
( )				( VD5 ) 9c screened



NOTE: FOR 88C30 MAX 15 Vdc

Product manufactured according to UNI EN ISO 9001:2000, supplied with CHECKING and CONFORMITY declaration with CE mark and with TWO (2) YEARS WARRANTY starting from delivery date.

- (1) For further information see PULSES/REVOL. data sheet
- (2) For further information see ELECTRONIC data sheet
- (3) For further information see CONNECTION data sheet

	ELCIS s.r.l. Via Rosa Luxembourg 12/14 10093 COLLEGNO (TO) ITALY Phone: +39 011 715577/78 a.r. MAIL: ELCIS s.r.l. P.O.Box 43 10093 COLLEGNO (TO) ITALY	* http://www.elcis.com * e-mail: info@elcis.com * Fax: +39 011 712613
--	--	---

COPYRIGHT by ELCIS - Collegno (TO)