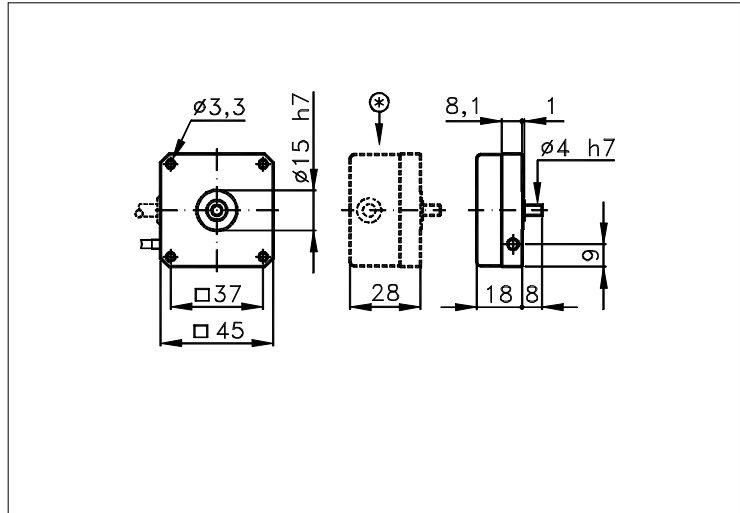


Sized draw standard version: CV R Measures without tolerance according to UNI ISO 2768-mk



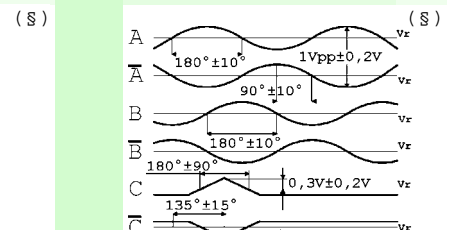
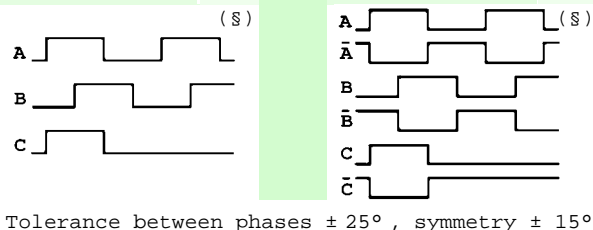
* FOR ELECTR. THAT ARE NOT '-', 'K', 'N' OR FOR PULS.>2540.

TECHNICAL FEATURES AND POSSIBLE CONFIGURATIONS

- | | |
|---|---|
| - Base.....: ANODIZED ALUMINIUM (*) | - MTTFd (°°).....: HIGH |
| - Cover.....: ANODIZED ALUMINIUM (*) | - Impact resistance.....: 50 G x 11ms |
| - Weight.....: 120 g | - Vibration resistance.: 12 G (10 ÷ 2000 Hz) |
| - Shaft.....: Ø 4 STAINLESS STEEL (*) | - Power supply.....: 5÷30V (see page 2) |
| - Max.rad/axial load.: 0,7 kg | - Operating temperature: 0 ÷ 70 °C (*) |
| - IP output side.(°): see 'CONNECTION' of page 2 | - Storage temperature...: -30 ÷ 85 °C |
| - IP shaft side.(°)> std. 64 sealed 65 low torq. 53 | - N° of pulses/rev.....: 1 ÷ 10000 |
| opt. type (page 2)> standard Z B | - Max frequency.....: 60 kHz (160 option) |
| - Contin. max RPM(**)> 6000 3000 12000 | - Max consumptions mA...: std 120 line driver 180 (*) |
| - Starting torque gcm> 12 25 8 | - Light source.....: LED with >= 100000 h life |
- (°) IP according to CEI EN 60529, EN 60529, IEC 529
(*) custom options
(°°) MTTFd according to EN ISO 13849-1
(**) intermittent max RPM + 30% of continuous max RPM

ELECTRONICS

CODE	DESCRIPTION	mA	CODE	DESCRIPTION	mA	CODE	DESCRIPTION	mA	CODE	DESCRIPTION	mA
	STANDARD NPN	10	N	DRIVER 26LS31	30				Y	SINUSOID.1Vpp (max. 1024 ppr)	10
K	NPN OPEN COLL	10	T	TTL 7404	10						
Q	NPN	70	C	DRIVER 88C30	20						
R	NPN OPEN COLL	70									
P	PNP	70									
U	PNP OPEN COLL	70									
B	PUSH-PULL PRO	70									
H	PUSH-PULL	70									



(§) Clock-wise output rotation (see shaft).



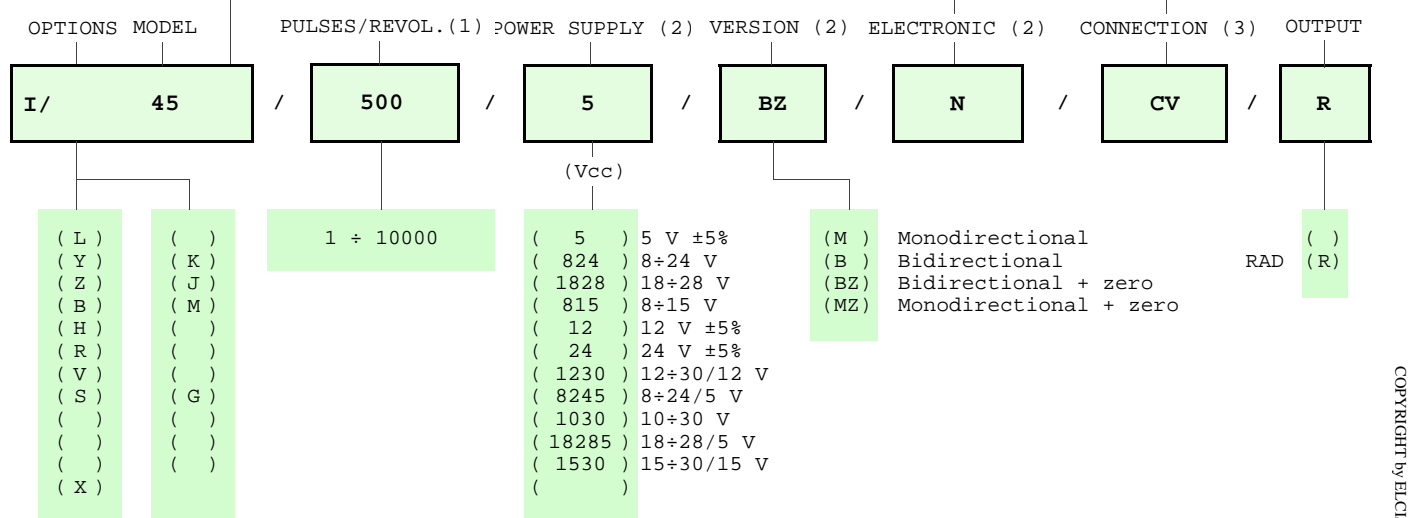
ELCIS encoder s.r.l. Via Rosa Luxembourg 12/14 10093 COLLEGNO (TO) ITALY
Phone: +39 011 715577/78 a.r.
MAIL: ELCIS encoder s.r.l. P.O.Box 70 10093 COLLEGNO (TO) ITALY

* <http://www.elcis.com>
* e-mail: info@elcis.com
* Fax: +39 011 712613

POSSIBLE OPTIONS				POSSIBLE CONNECTIONS								
CODE	DESCRIPTION	CODE	DESCRIPTION				OUTPUT:					
L	Low temperature	K	Invert. phase A,B,Zero.	CABLE			RAD					
Y	Unbreakable disk	J	Zero logic combination	CONNECTOR			OUTPUT:					
Z	Sealed ball bearing	M	Impregnated electronic	CABLE END CONNECTOR			OUTPUT:					
B	Low torque ball bear.	G	Tropicalization	VM	TM	VL	TL	VD	VH	VH5	VI	
H	Different shaft Ø			VE	VK	TK	VN	VH6	VM5	VM9	VS	RAD
R	75 KHz frequency			VD5								
V	100 KHz frequency			TERMINAL BOX			OUTPUT:					
S	160 KHz frequency											
X	Custom options											

ORDERING INFORMATION


POSSIBLE SHAFT Ø		CABLE	CONNECTOR	CABLE END CONNECTOR
()	() STANDARD NPN	IP65	()	IP65 encoder output
()	(K) NPN OPEN COLL	(CV) 1 m long	()	(VM) 7c normal
()	(Q) NPN	()	()	(TM) 7c sealed
()	(R) NPN OPEN COLL	()	()	(VL) 10c normal
()	(P) PNP	()	()	(TL) 10c sealed
()	(U) PNP OPEN COLL	()	()	(VD) 9c
(n)	(B) PUSH-PULL PRO	TERMINAL BOX	()	(VH) 12c anticlock.
()	(H) PUSH-PULL	IP00	()	(VH5) 12c clock-wise
()	(N) DRIVER 26LS31	()	()	(VI) 12c crimped
()	(T) TTL 7404	()	()	(VE) 5c
()	(C) DRIVER 88C30	()	()	(VK) 17c normal
()	()	()	()	(TK) 17c sealed
()	()	()	()	(VN) 12c
()	(Y) SINUSOID.1Vpp	()	()	(VH6) 12c clock-wise
()	(X) CUSTOM OPTION	()	()	(VM5) 26c
()	() (max. 1024 pp)	()	()	(VM9) 16c
()		()	()	(VS) 12c
()		()	()	(VD5) 9c screened



NOTE: FOR 88C30 MAX 15 Vdc

Product manufactured according to UNI EN ISO 9001:2008, supplied with CHECKING and CONFORMITY declaration with CE mark and with TWO (2) YEARS WARRANTY starting from delivery date.

- (1) For further information see PULSES/REVOL. data sheet
- (2) For further information see ELECTRONIC data sheet
- (3) For further information see CONNECTION data sheet

	ELCIS encoder s.r.l. Via Rosa Luxembourg 12/14 10093 COLLEGNO (TO) ITALY	* http://www.elcis.com
	Phone: +39 011 715577/78 a.r.	* e-mail: info@elcis.com
	MAIL: ELCIS encoder s.r.l. P.O.Box 70 10093 COLLEGNO (TO) ITALY	* Fax: +39 011 712613

COPYRIGHT by ELCIS - Collegno (TO)