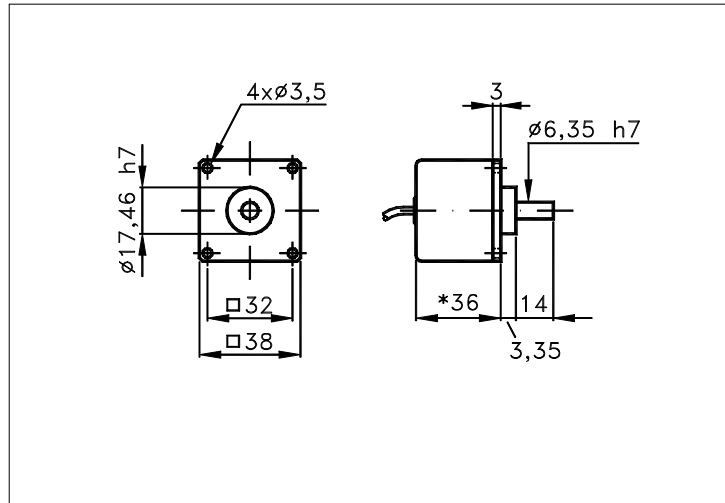


Sized draw standard version: CV Measures without tolerance according to UNI ISO 2768-mk



* 43 FOR ELECTR. THAT ARE NOT 'STANDARD', 'K'.

TECHNICAL FEATURES AND POSSIBLE CONFIGURATIONS

- | | |
|---|--|
| <ul style="list-style-type: none"> - Base.....: ANODIZED ALUMINIUM (*) - Cover.....: ANODIZED ALUMINIUM (*) - Weight.....: 100 g - Shaft.....: Ø 6,35 STAINLESS STEEL (*) - Max.rad/axial load.: 1 kg - IP output side.(°): see 'CONNECTION' of page 2 - IP shaft side.(°).> std. 64 sealed 66 low torq. 53 <li style="padding-left: 20px;">opt. type (page 2).> standard Z B - Contin. max RPM(**)> 6000 3000 12000 - Starting torque gcm> 12 30 8 <p>(°) IP according to CEI EN 60529, EN 60529, IEC 529
(*) custom options</p> | <ul style="list-style-type: none"> - Ball bearings life...: 1,5 x 10⁹ revolutions - Impact resistance....: 50 G x 11ms - Vibration resistance.: 12 G (10 ÷ 2000 Hz) - Power supply.....: 5÷30V (see page 2) - Operating temperature: 0 ÷ 70 °C (*) - Storage temperature...: -30 ÷ 85 °C - N° of pulses/rev.....: 1 ÷ 2540 - Max frequency.....: 60 kHz (100 option) - Max consumptions mA...: std 120 line driver 180 (*) - Light source.....: LED with >= 100000 h life <p>(**) intermittent max RPM + 30% of continuous max RPM</p> |
|---|--|

ELECTRONICS

CODE	DESCRIPTION	mA	CODE	DESCRIPTION	mA	CODE	DESCRIPTION	mA	CODE	DESCRIPTION	mA
	STANDARD NPN	10	N	DRIVER 26LS31	30						
K	NPN OPEN COLL	10	T	TTL 7404	10						
Q	NPN	70	C	DRIVER 88C30	20						
R	NPN OPEN COLL	70									
P	PNP	70									
U	PNP OPEN COLL	70									
B	PUSH-PULL PRO	70									
H	PUSH-PULL	70									



Tolerance between phases ± 25°, symmetry ± 15°

(§) Clock-wise output rotation (see shaft).



ELCIS s.r.l. Via Rosa Luxembourg 12/14 10093 COLLEGNO (TO) ITALY
Phone: +39 011 715577/78 a.r.
MAIL: ELCIS s.r.l. P.O.Box 90 10093 COLLEGNO (TO) ITALY

* <http://www.elcis.com>
* e-mail: info@elcis.com
* Fax: +39 011 712613

POSSIBLE OPTIONS				POSSIBLE CONNECTIONS								
CODE	DESCRIPTION	CODE	DESCRIPTION									
L	Low temperature			CABLE								
Y	Unbreakable disk			CV				OUTPUT: AX RAD				
Z	Sealed ball bearing	K	Invert. phase A,B,Zero.	CONNECTOR				OUTPUT:				
B	Low torque ball bear.	J	Zero logic combination									
H	Different shaft Ø	M	Impregnated electronic	CABLE END CONNECTOR				OUTPUT:				
R	75 KHz frequency			VM	TM	VL	TL	VD	VH	VH5	VI	AX
V	100 KHz frequency	G	Tropicalization	VE	VK	TK	VN	VH6	VM5	VM9	VS	RAD
				VD5								
X	Custom options			TERMINAL BOX				OUTPUT:				

ORDERING INFORMATION

POSSIBLE SHAFT Ø	STANDARD NPN	CABLE	CONNECTOR	CABLE END CONNECTOR
()	(K) NPN OPEN COLL	IP65		IP65 encoder output
()	(Q) NPN	(CV) 1 m long	()	(VM) 7c normal
()	(R) NPN OPEN COLL	()	()	(TM) 7c sealed
()	(P) PNP	()	()	(VL) 10c normal
()	(U) PNP OPEN COLL	()	()	(TL) 10c sealed
(n) Ø n upon requ.	(B) PUSH-PULL PRO		()	(VD) 9c
()	(H) PUSH-PULL	TERMINAL BOX	()	(VH) 12c anticlock.
()	(N) DRIVER 26LS31	IP00	()	(VH5) 12c clock-wise
()	(T) TTL 7404		()	(VI) 12c crimped
()	(C) DRIVER 88C30	()	()	(VE) 5c
()			()	(VK) 17c normal
()			()	(TK) 17c sealed
()			()	(VN) 12c
()	(X) CUSTOM OPTION		()	(VH6) 12c clock-wise
()			()	(VM5) 26c
()			()	(VM9) 16c
()			()	(VS) 12c
()			()	(VD5) 9c screened

OPTIONS	MODEL	PULSES/REVOL. (1)	POWER SUPPLY	VERSION (2)	ELECTRONIC (2)	CONNECTION (3)	OUTPUT
	38Q	500	5	BZ	N	CV	
		1 ÷ 2540	(Vcc)				
(L)	()		(5) 5 V ±5%	(M)	Monodirectional	AX	()
(Y)	(K)		(824) 8÷24 V	(B)	Bidirectional	RAD	(R)
(Z)	(J)		(1828) 18÷28 V	(BZ)	Bidirectional + zero		
(B)	(M)		(815) 8÷15 V	(MZ)	Monodirectional + zero		
(H)	()		(12) 12 V ±5%				
(R)	()		(24) 24 V ±5%				
(V)	()		(1230) 12÷30/12 V				
()	(G)		(8245) 8÷24/5 V				
()	()		(1030) 10÷30 V				
()	()		(18285) 18÷28/5 V				
()	()		(1530) 15÷30/15 V				
(X)	()		()				

Product manufactured according to ISO EN 9001, supplied with CHECKING and CONFORMITY declaration with CE mark and with TWO (2) YEARS WARRANTY starting from delivery date.

NOTE: FOR 88C30 MAX 15 Vdc

- (1) For further information see PULSES/REVOL. data sheet
 (2) For further information see ELECTRONIC data sheet
 (3) For further information see CONNECTION data sheet

	<p>ELCIS s.r.l. Via Rosa Luxembourg 12/14 10093 COLLEGNO (TO) ITALY Phone: +39 011 715577/78 a.r. MAIL: ELCIS s.r.l. P.O.Box 90 10093 COLLEGNO (TO) ITALY</p>	<p>* http://www.elcis.com * e-mail: info@elcis.com * Fax: +39 011 712613</p>
--	---	---

COPYRIGHT by ELCIS - Collegno (TO)