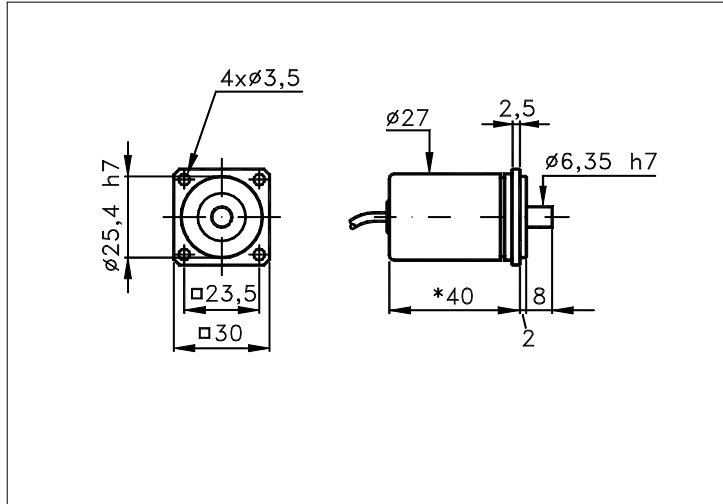


Sized draw standard version: CV Measures without tolerance according to UNI ISO 2768-mk



\* 50 FOR ELECTR. THAT ARE NOT 'STANDARD', 'K'.

TECHNICAL FEATURES AND POSSIBLE CONFIGURATIONS

- Base.....: ANODIZED ALUMINIUM (\*)
- Cover.....: ANODIZED ALUMINIUM (\*)
- Weight.....: 90 g
- Shaft.....: Ø 6,35 STAINLESS STEEL (\*)
- Max.rad/axial load.: 0,4 kg
- IP output side.(°): see 'CONNECTION' of page 2
- IP shaft side.(°)> std. 64 | sealed 65 | low torq. 53
- opt. type (page 2)> standard | Z | B
- Contin. max RPM(\*\*)> 6000 | 4500 | 12000
- Starting torque gcm> 12 | 25 | 8
- Ball bearings life...: 1,5 x 10<sup>9</sup> revolutions
- Impact resistance....: 50 G x 11ms
- Vibration resistance.: 12 G (10 ÷ 2000 Hz)
- Power supply.....: 5V (see page 2)
- Operating temperature: 0 ÷ 70 °C (\*)
- Storage temperature...: -30 ÷ 85 °C
- N° of pulses/rev.....: 50÷800
- Max frequency.....: 60 kHz
- Max consumptions mA...: std 120 line driver 180 (\*)
- Light source.....: LED with >= 100000 h life

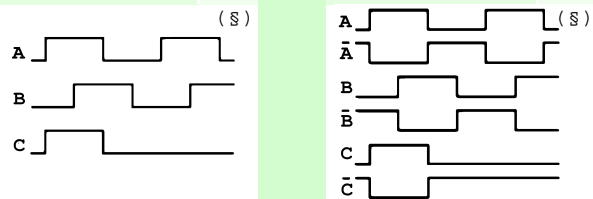
(°) IP according to CEI EN 60529, EN 60529, IEC 529

(\*) custom options

(\*\*) intermittent max RPM + 30% of continuous max RPM

ELECTRONICS

CODE	DESCRIPTION	mA	CODE	DESCRIPTION	mA	CODE	DESCRIPTION	mA	CODE	DESCRIPTION	mA
	STANDARD NPN	10	N	DRIVER 26LS31	30						
K	NPN OPEN COLL	10	T	TTL 7404	10						
Q	NPN	70	C	DRIVER 88C30	20						
R	NPN OPEN COLL	70									
P	PNP	70									
U	PNP OPEN COLL	70									
B	PUSH-PULL PRO	70									
H	PUSH-PULL	70									



Tolerance between phases ± 25°, symmetry ± 15°

(S) Clock-wise output rotation (see shaft).

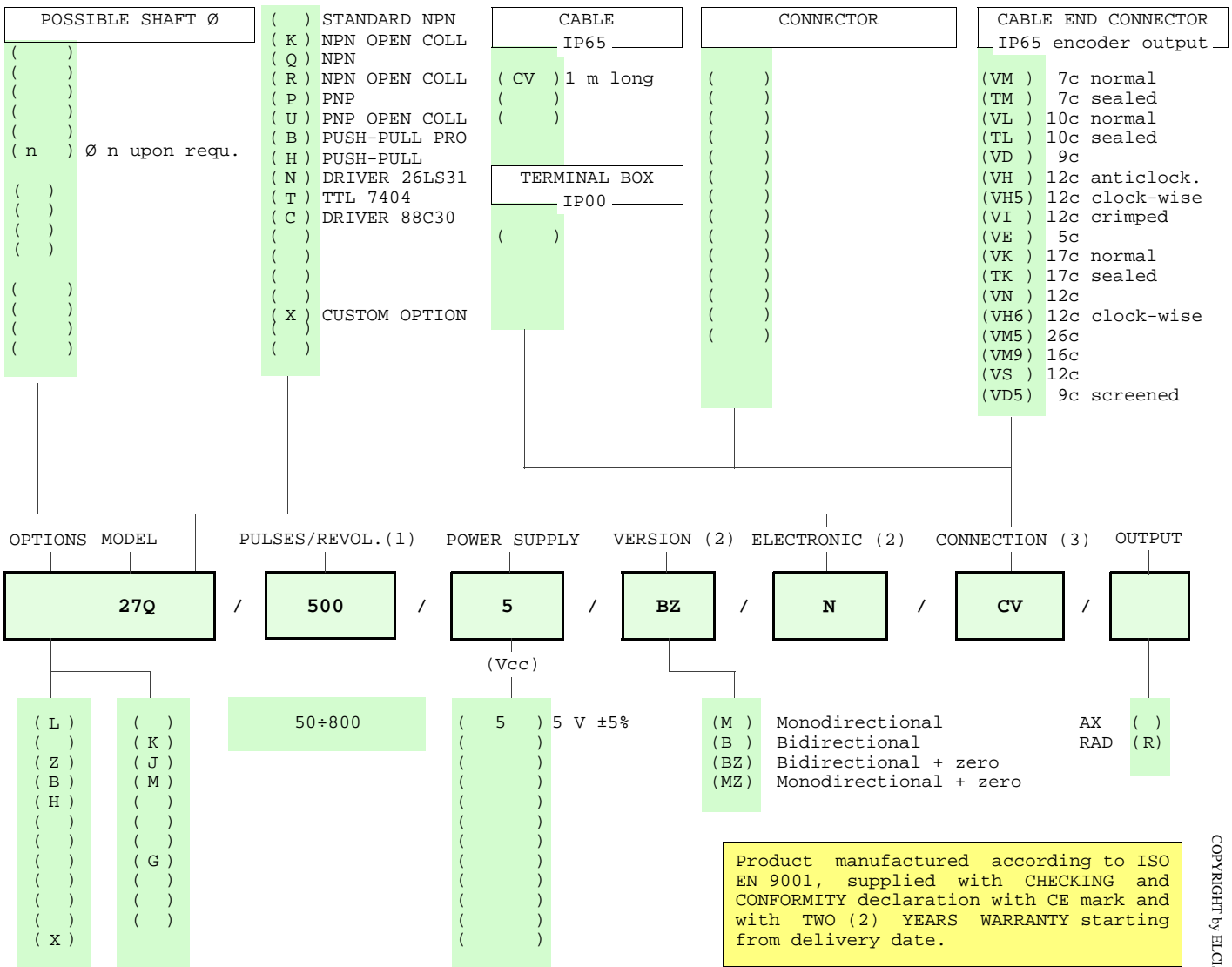


ELCIS s.r.l. Via Rosa Luxembourg 12/14 10093 COLLEGNO (TO) ITALY  
Phone: +39 011 71577/78 a.r.  
MAIL: ELCIS s.r.l. P.O.Box 90 10093 COLLEGNO (TO) ITALY


\* <http://www.elcis.com>  
\* e-mail: [info@elcis.com](mailto:info@elcis.com)  
\* Fax: +39 011 712613

POSSIBLE OPTIONS				POSSIBLE CONNECTIONS								
CODE	DESCRIPTION	CODE	DESCRIPTION	CABLE				OUTPUT:				
L	Low temperature			CV				AX RAD				
Z	Sealed ball bearing	K	Invert. phase A,B,Zero.	CONNECTOR				OUTPUT:				
B	Low torque ball bear.	J	Zero logic combination	CABLE END CONNECTOR				OUTPUT:				
H	Different shaft Ø	M	Impregnated electronic	VM	TM	VL	TL	VD	VH	VH5	VI	AX
		G	Tropicalization	VE	VK	TK	VN	VH6	VM5	VM9	VS	RAD
				VD5								
X	Custom options			TERMINAL BOX				OUTPUT:				

### ORDERING INFORMATION



(1) For further information see PULSES/REVOL. data sheet  
 (2) For further information see ELECTRONIC data sheet  
 (3) For further information see CONNECTION data sheet

	ELCIS s.r.l. Via Rosa Luxembourg 12/14 10093 COLLEGNO (TO) ITALY	* <a href="http://www.elcis.com">http://www.elcis.com</a>
	Phone: +39 011 715577/78 a.r.	* e-mail: <a href="mailto:info@elcis.com">info@elcis.com</a>
	MAIL: ELCIS s.r.l. P.O.Box 90 10093 COLLEGNO (TO) ITALY	* Fax: +39 011 712613

COPYRIGHT by ELCIS - Collegno (TO)