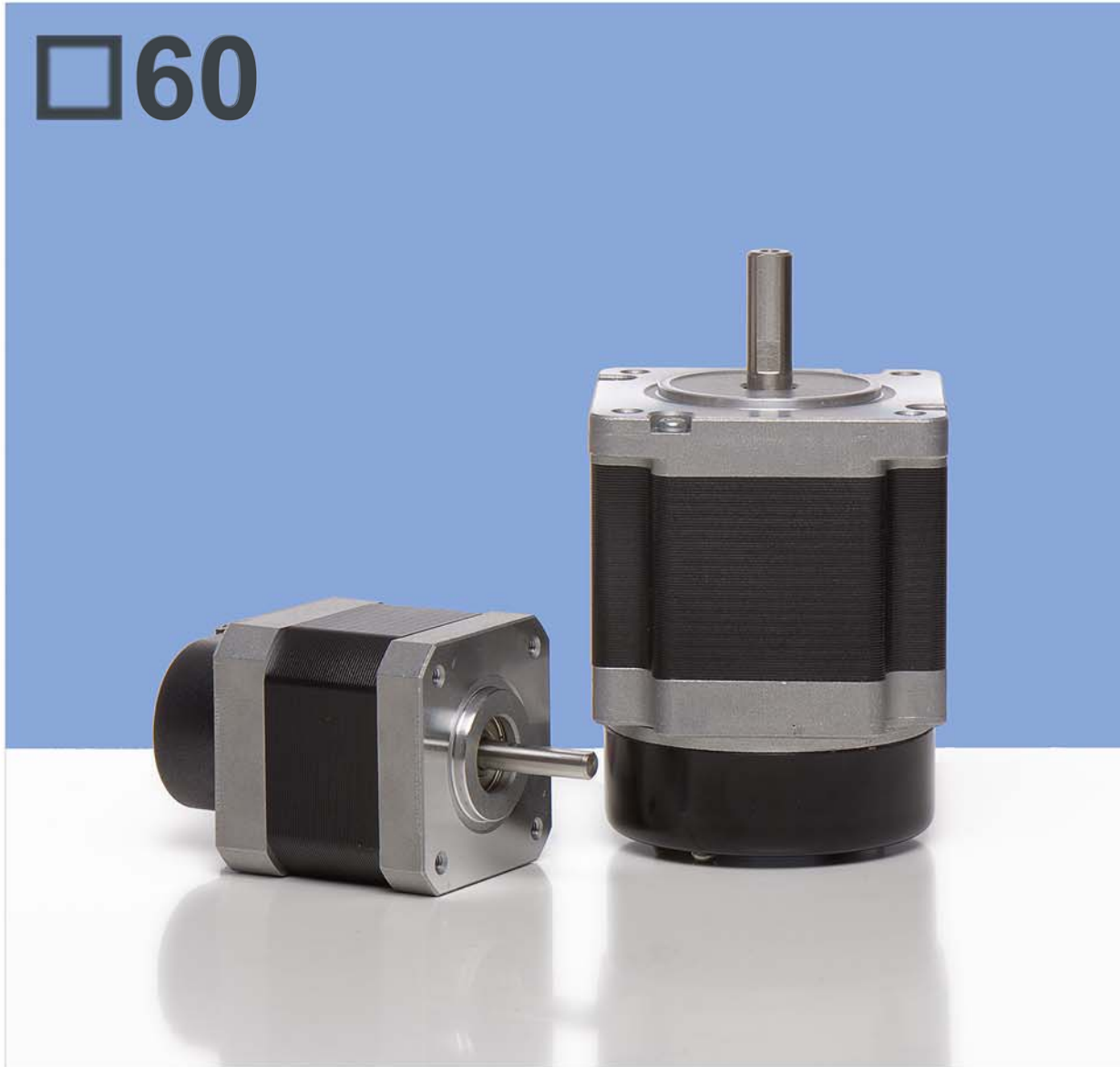




EC MOTION

□60

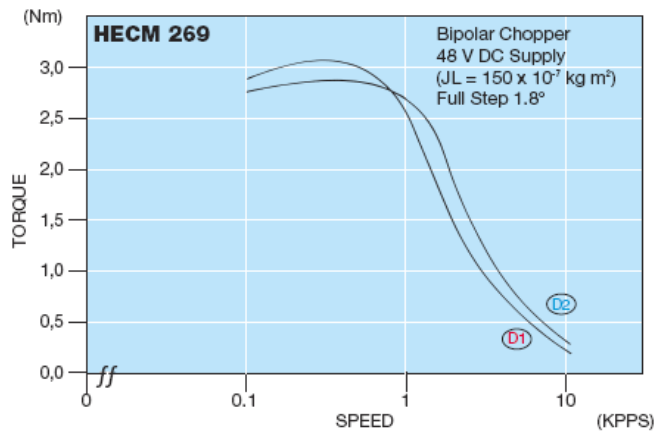
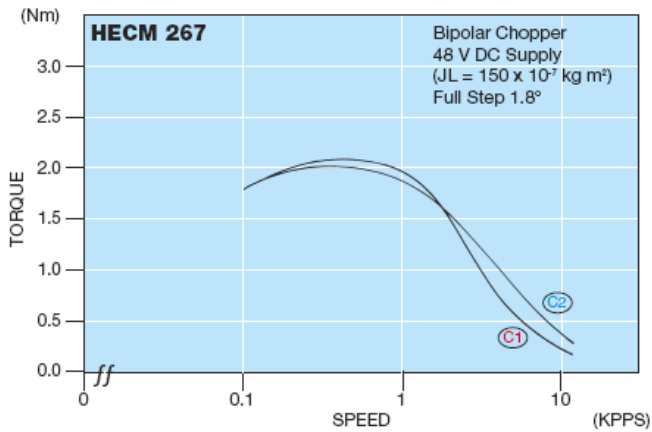
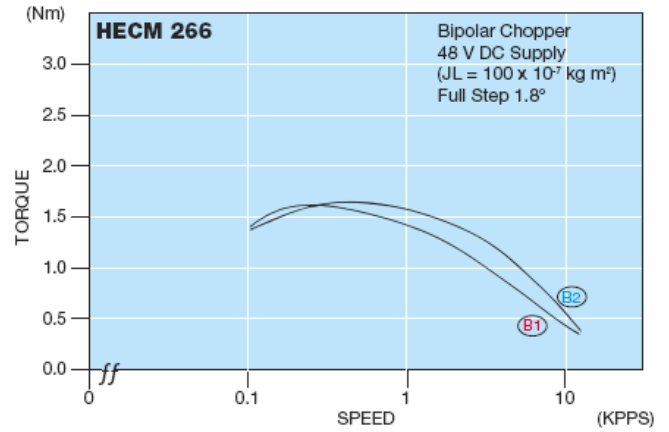
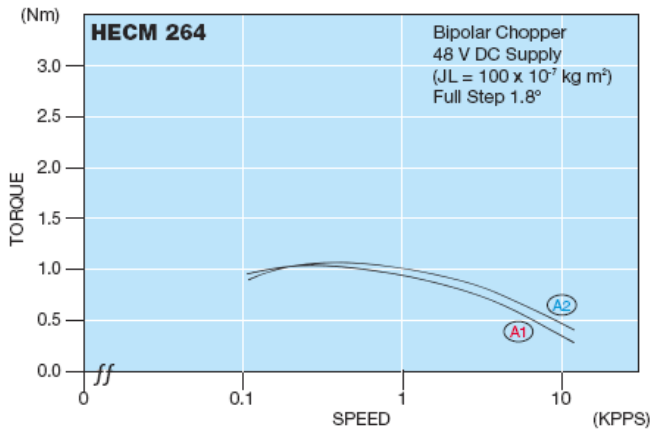


STEPPING MOTORS

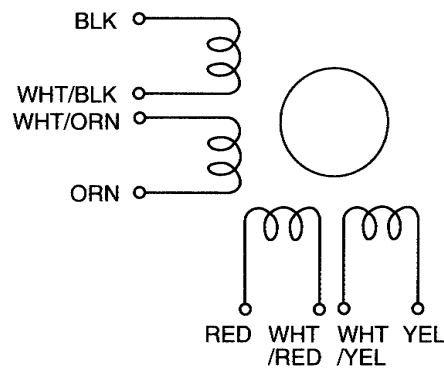
2-Phase Step Motor | Flange 60mm | 1.15 - 3.30 Nm
with Encoder

SCHRITTMOTOREN

2-Phasen Schrittmotoren | Flansch 60mm | 1,15 - 3,30 Nm
mit Encoder



Schrittmotoranschluss (Encoderanschluß Seite 3/3)



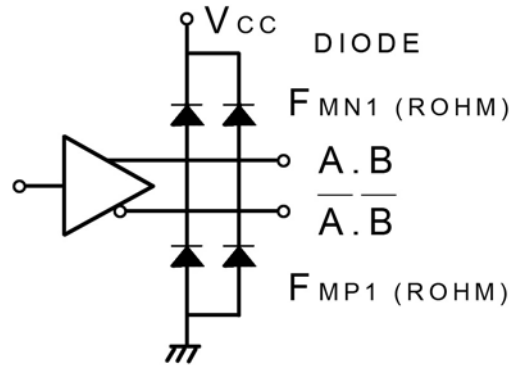
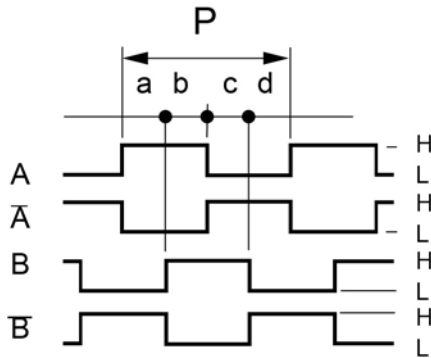
Optional sind für unsere Schrittmotoren Planetengetriebe erhältlich.



Encoder Performance

Operating Temp.range : 0°C – 85°C
 Supply : DC 5V ± 5% , 100mA max
 Resolution : 200 Counts / Turn
 Frequency Response : 100K Hz max.
 A phase difference : 1/4 P ± 1/8 P
 Code : Incremental A.B (2Ch.)

Output Signal : when output is high : DC 2.4V min
 Output Signal : when output is low : DC 0.4V max
 Sinking & Output Current : typical ± 20mA max
 Rise & Fall Times : 1 µsec max
 Moment of inertia : 5 g-cm² max Encoder only
 Output Circuit : Line Driver AM26C31IDB



CW Rotation viewed from mounting end. Encoder signal A and B position is "H" at Motor 2Phase on.

Color of Leadwires and Funktion :

DC 5V = red	A phase = brown	\bar{A} phase = orange
GND = blue	B phase = yellow	\bar{B} phase = gray

(Old-Version)

A phase = brown	\bar{A} phase = orange
B phase = yellow	\bar{B} phase = white
DC 5V = red	GND = black



EC Motion GmbH - Auf den Steinen 20 - 41812 Erkelenz
 Tel.: +49 (0)2164-7014-0 - Fax. : +49 (0)2164-701419
 Internet: www.ec-motion.de - e-mail: info@ec-motion.de

