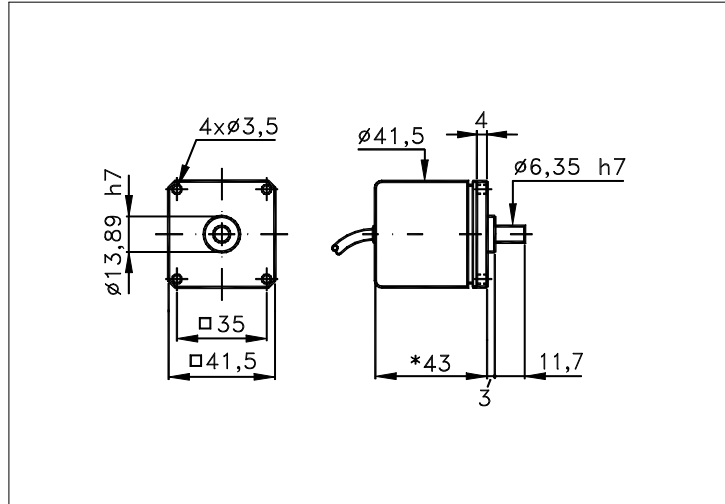


41Q

Sized draw standard version: CV Measures without tolerance according to UNI ISO 2768-mk



* 53 FOR ELECTR. THAT ARE NOT 'STANDARD', 'K'.

TECHNICAL FEATURES AND POSSIBLE CONFIGURATIONS

- | | |
|--|--|
| - Base.....: ANODIZED ALUMINIUM (*) | - Ball bearings life...: 1,5 x 10 ⁹ revolutions |
| - Cover.....: ANODIZED ALUMINIUM (*) | - Impact resistance....: 50 G x 11ms |
| - Weight.....: 120 g | - Vibration resistance..: 12 G (10 ÷ 2000 Hz) |
| - Shaft.....: Ø 6,35 STAINLESS STEEL (*) | - Power supply.....: 5÷30V (see page 2) |
| - Max.rad/axial load.: 1 kg | - Operating temperature: 0 ÷ 70 °C (*) |
| - IP output side.(°): see 'CONNECTION' of page 2 | - Storage temperature...: -30 ÷ 85 °C |
| - IP shaft side..(°)> std. 64 sealed 66 low torq. 53 | - N° of pulses/rev.....: 1 ÷ 2540 |
| opt. type (page 2)> standard Z B | - Max frequency.....: 60 kHz (100 option) |
| - Contin. max RPM(**)> 6000 3000 12000 | - Max consumptions mA...: std 120 line driver 180 (*) |
| - Starting torque gcm> 12 30 8 | - Light source.....: LED with >= 100000 h life |

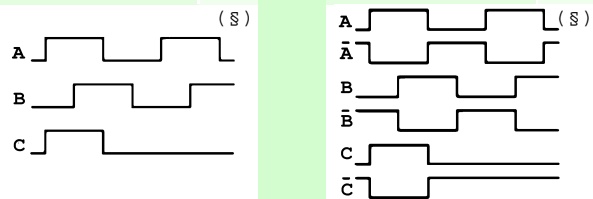
(°) IP according to CEI EN 60529, EN 60529, IEC 529

(*) custom options

(**) intermittent max RPM + 30% of continuous max RPM

ELECTRONICS

CODE	DESCRIPTION	mA	CODE	DESCRIPTION	mA	CODE	DESCRIPTION	mA	CODE	DESCRIPTION	mA
	STANDARD NPN	10	N	DRIVER 26LS31	30						
K	NPN OPEN COLL	10	T	TTL 7404	10						
Q	NPN	70	C	DRIVER 88C30	20						
R	NPN OPEN COLL	70									
P	PNP	70									
U	PNP OPEN COLL	70									
B	PUSH-PULL PRO	70									
H	PUSH-PULL	70									



Tolerance between phases ± 25°, symmetry ± 15°

(§) Clock-wise output rotation (see shaft).

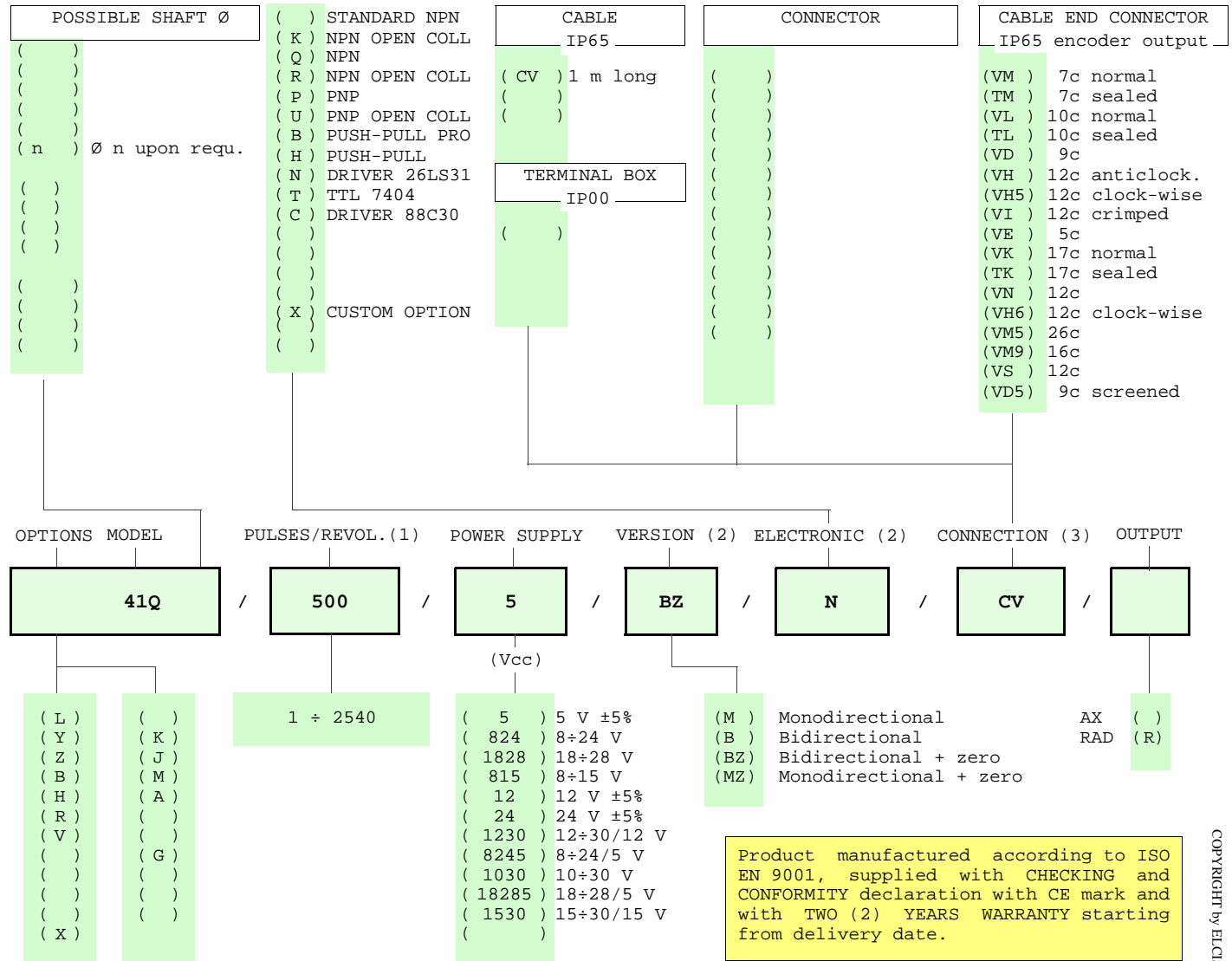


ELCIS s.r.l. Via Rosa Luxembourg 12/14 10093 COLLEGNO (TO) ITALY
Phone: +39 011 715577/78 a.r.
MAIL: ELCIS s.r.l. P.O.Box 90 10093 COLLEGNO (TO) ITALY

* <http://www.elcis.com>
* e-mail: info@elcis.com
* Fax: +39 011 712613

POSSIBLE OPTIONS				POSSIBLE CONNECTIONS								
CODE	DESCRIPTION	CODE	DESCRIPTION									
L	Low temperature			CABLE								
Y	Unbreakable disk			CV				OUTPUT: AX RAD				
Z	Sealed ball bearing	K	Invert. phase A,B,Zero.	CONNECTOR				OUTPUT:				
B	Low torque ball bear.	J	Zero logic combination									
H	Different shaft Ø	M	Impregnated electronic	CABLE END CONNECTOR				OUTPUT:				
R	75 KHz frequency	A	High temperature	VM	TM	VL	TL	VD	VH	VH5	VI	AX
V	100 KHz frequency	G	Tropicalization	VE	VK	TK	VN	VH6	VM5	VM9	VS	RAD
				VD5								
X	Custom options			TERMINAL BOX				OUTPUT:				

ORDERING INFORMATION



NOTE: FOR 88C30 MAX 15Vdc

(1) For further information see PULSES/REVOL. data sheet
 (2) For further information see ELECTRONIC data sheet
 (3) For further information see CONNECTION data sheet

	ELCIS s.r.l. Via Rosa Luxembourg 12/14 10093 COLLEGNO (TO) ITALY Phone: +39 011 715577/78 a.r. MAIL: ELCIS s.r.l. P.O.Box 90 10093 COLLEGNO (TO) ITALY	* http://www.elcis.com * e-mail: info@elcis.com * Fax: +39 011 712613
--	--	--

COPYRIGHT by ELCIS - Collegno (TO)