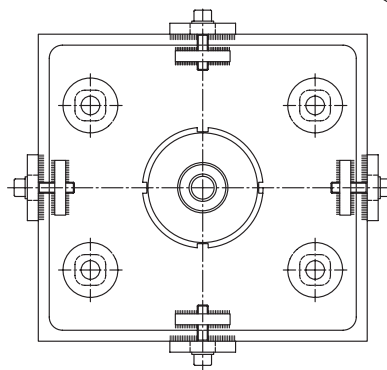
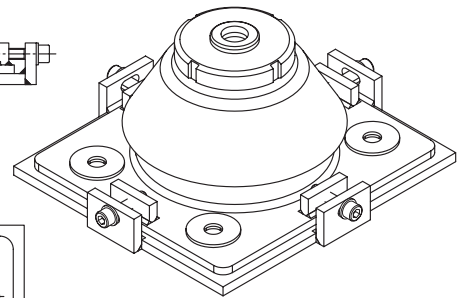
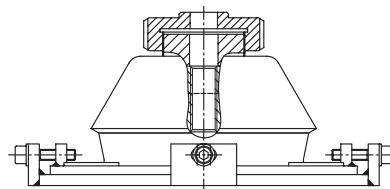
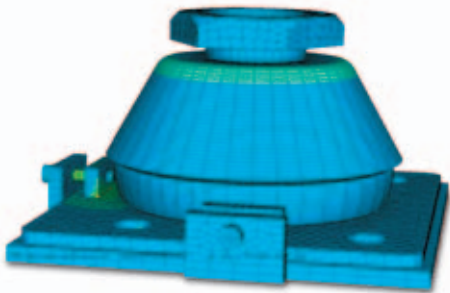
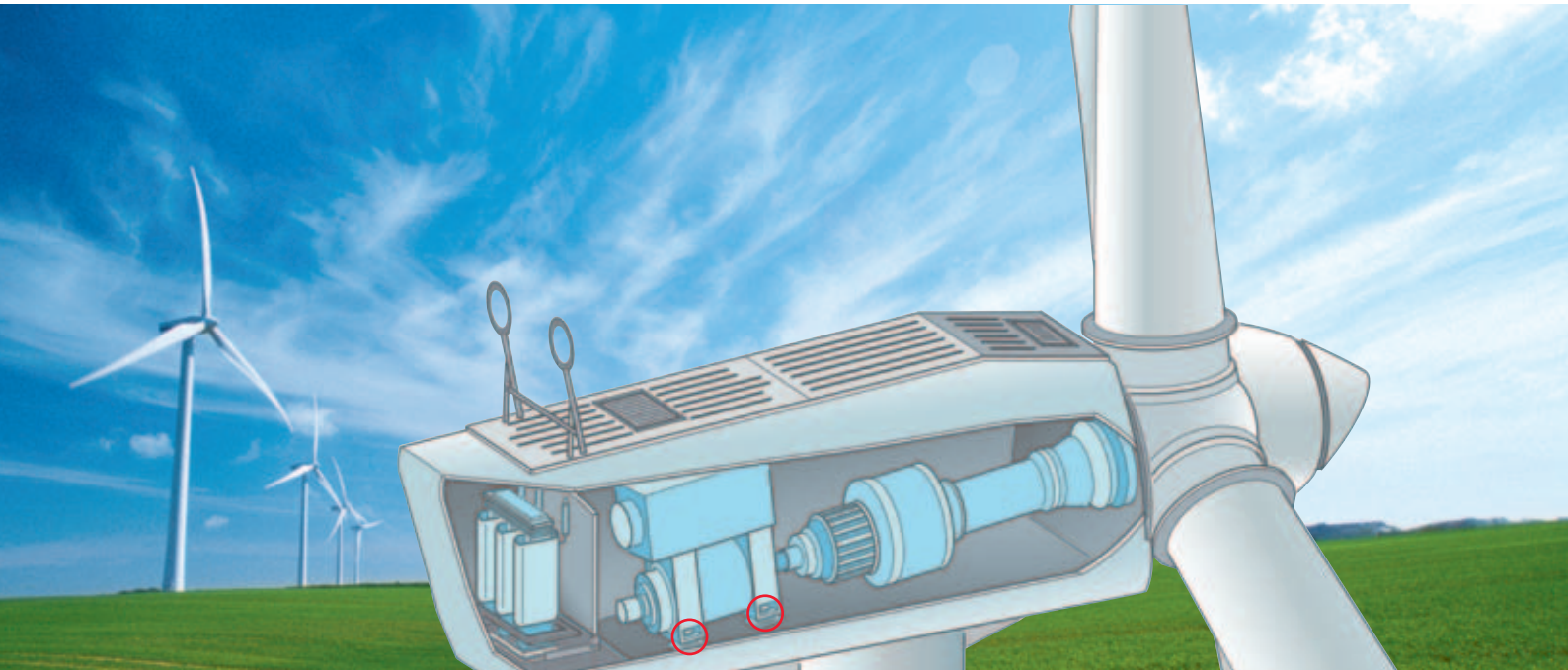


Generator Bearing (Mount)



Ihr Ansprechpartner

Robert Eberlein
 Chief Technology Officer
 Angst+Pfister AG
 Thurgauerstrasse 66
 CH-8052 Zürich
 Telefon: +41 (0)44 306 64 82
 E-Mail: robert.eberlein@angst-pfister.com
 www.angst-pfister.com

Material		Remarks	
Established			Scale 1:2
Approved			
Amendment			
Generatorbearing 1.5 - 2.5 MW			Division ST
			Format A2
			Number of sheets 1
APCH 2.106 236.00 b			Sheet 1
			CAD